

Submittal Data Sheet

| | | | |
|---------------|--|---------------|--|
| Project Name: | | Approval: | |
| Location: | | Date: | |
| Engineer: | | Construction: | |
| Submitted to: | | Unit #: | |
| Submitted by: | | Drawing #: | |
| Reference: | | | |

| | |
|--------------------|----------------|
| Model | |
| Indoor unit model | DHP14-24-12-U |
| Outdoor unit model | OHP14-24-12-22 |



PERFORMANCE DATA

| | | |
|----------------|---------|-------------------|
| Power supply | Ph-V-Hz | 208/230V,1Ph,60Hz |
| Cooling | | |
| Capacity | Btu/h | 24000 |
| Input | W | 1920 |
| Rated current | A | 8.8 |

Heating at 47

| | | |
|---------------|-------|-------|
| Capacity | Btu/h | 24400 |
| Input | W | 2030 |
| Rated current | A | 9.3 |
| COP | W/W | 3.52 |

Electrical

| | | |
|--------------------------|---|----------|
| MINIMUM CIRCUIT AMPACITY | A | 18 |
| MAX. FUSE | A | 25 |
| Connection wiring | | 14*4 AWG |

Compressor

| | | |
|----------------------------|-------|---------------|
| Model | | ATF235D22UMT |
| Type | | ROTARY |
| Brand | | GMCC |
| Capacity | Btu/h | 24345 |
| Input | W | 1970 |
| Rated current(RLA) | A | 12 |
| Locked rotor Amp(LRA) | A | --- |
| Thermal protector | | --- |
| Thermal protector position | | --- |
| Refrigerant oil/oil charge | ml | POE(VG74)/670 |

SYSTEM DATA

| | | |
|------------------------------|--------|------------------------|
| Design pressure | PSIG | 550/340 PSIG |
| Refrigerant type | oz | R410A/82.9 |
| Refrigerant precharge | ft | 25 |
| Additional charge per ft. | oz | 0.32 |
| Liquid side/ Gas side | mm(in) | Φ9.52/Φ15.9(3/8"/5/8") |
| Max. refrigerant pipe length | ft | 164 |
| Max. difference in level | ft. | 82 |

ESP

| | | |
|-----------|---------|--------|
| ESP range | In. wg. | 0-0.64 |
|-----------|---------|--------|

INDOOR UNIT DATA

| | | |
|-------------------------|-------|----------------|
| Indoor fan motor | | |
| Model | | ZKFN-160-8-1-2 |
| Type | | DC |
| Input | | 90.0 |
| RLA | A | 1.5 |
| LRA | A | --- |
| Winding Resistance | Ω | --- |
| Capacitor | uF | --- |
| Speed(Hi/Mi/Lo) | r/min | 880/820/690 |

Air flow & Noise level

| | | |
|----------------------------|-------|-------------|
| Indoor air flow (Hi/Lo) | CFM | 776/694/435 |
| Indoor noise level (Hi/Lo) | dB(A) | 44/41/38 |

Indoor unit

| | | |
|------------------|------|----------|
| Dimension(W*D*H) | inch | 43x30x10 |
| Packing (W*D*H) | inch | 51x32x12 |
| Net/Gross weight | lbs. | 87/103 |

OUTDOOR UNIT DATA

| | | |
|--------------------------|-------|--------------|
| Outdoor fan motor | | |
| Model | | ZKFN-120-8-2 |
| Type | | DC |
| Input | | 150 |
| RLA | A | 0.6 |
| LRA | A | --- |
| Winding Resistance | Ω | --- |
| Capacitor | uF | --- |
| Speed | r/min | 810 |

Air flow & Noise level

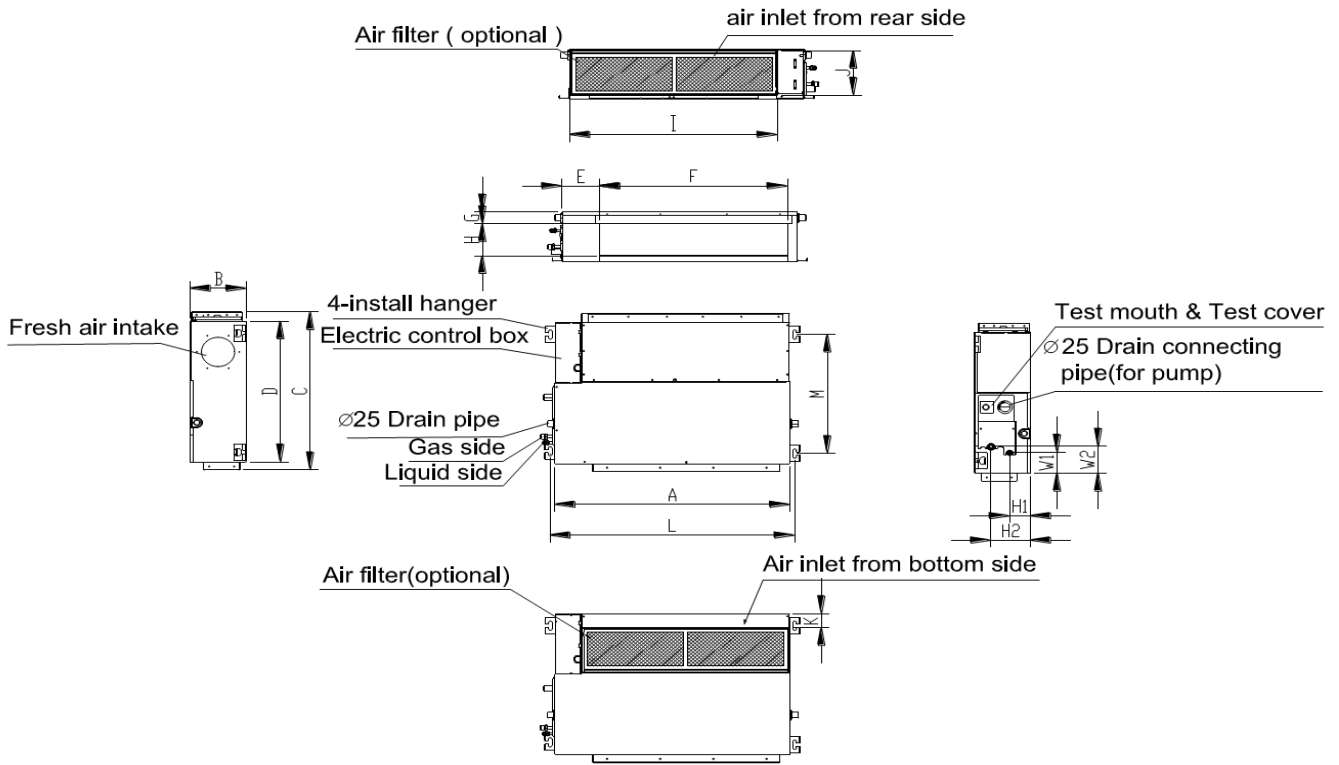
| | | |
|---------------------|-------|------|
| Outdoor air flow | CFM | 2237 |
| Outdoor noise level | dB(A) | 61 |

Outdoor unit

| | | |
|------------------|------|-------------------|
| Dimension(W*D*H) | inch | 37.24x16.14x31.89 |
| Packing (W*D*H) | inch | 42.91x19.69x34.45 |
| Net/Gross weight | lbs. | 136.69/148.59 |

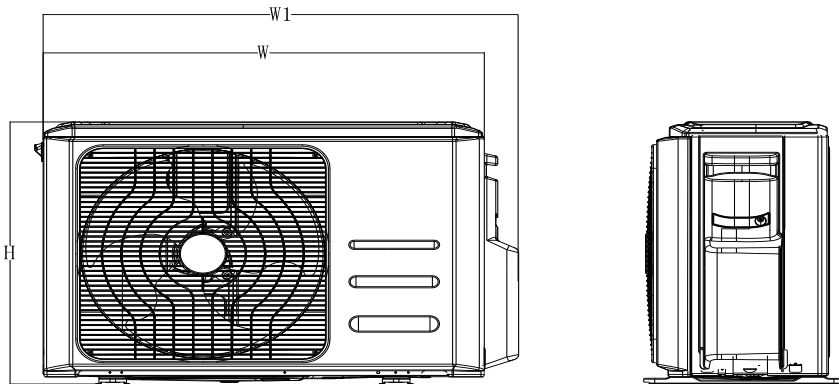
Operation temperature

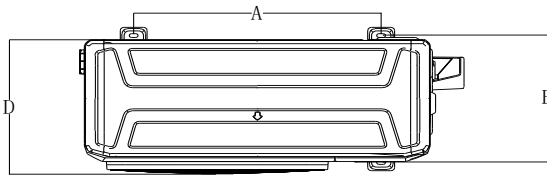
| | | |
|--------------------------|--------|-----------------|
| Indoor(cooling/heating) | Deg. F | 62~90/32~86 |
| Outdoor(cooling/heating) | Deg. F | -13~122/ -13~86 |
| Application area | sq.ft | 344-505 |



| Capacity (Btu) | Outline dimension(mm) | | | | Air outlet opening size | | | | Air return opening size | | | Size of mounted plug | | Size of gas and liquid valve | | | |
|----------------|-----------------------|-----|-----|-----|-------------------------|-----|----|-----|-------------------------|-----|---|----------------------|-----|------------------------------|-----|-----|-----|
| | A | B | C | D | E | F | G | H | I | J | K | L | M | H1 | H2 | W1 | W2 |
| 24000 | 1100 | 249 | 774 | 700 | 140 | 926 | 50 | 175 | 1001 | 228 | 5 | 1140 | 598 | 80 | 150 | 130 | 155 |

OUTDOOR UNIT





| Model | W (inch) | D (inch) | H (inch) | W1 (inch) | A (inch) | B (inch) |
|-------------------|----------|----------|----------|-----------|----------|----------|
| MOD31-24HFN1-MTOW | 37.2 | 16.1 | 31.9 | 40.6 | 26.5 | 15.9 |

MTIU-24HWFN1-M

