



AIR CONDITIONERS

www.NortonAirConditioners.com

Submittal Data Sheet

Project Name:		Approval:	
Location:		Date:	
Engineer:		Construction:	
Submitted to:		Unit #:	
Submitted by:		Drawing #:	
Reference:			

Outdoor model	OHP14-18-22-23
---------------	----------------

PERFORMANCE DATA

Power supply	Ph-V-Hz	208-230V~60Hz , 1Ph
Cooling		
Capacity	Btu/h	18000
Input	W	1525
Rated current	A	6.6
EER	Btu/w	11.8
SEER	Btu/w	18.5
Heating		
Capacity	Btu/h	18500
Input	W	1427
Rated current	A	6.2
COP	W/W	3.8
HSPF4		10
HSPF5		8.5
Electrical		
MINIMUM CIRCUIT AMPACITY	A	18.0
MAX. FUSE	A	25.0
Connection wiring		16*4 AWG
Compressor		
Model		ATM150D23UFZ
Type		ROTARY
Brand		GMCC
Capacity	Btu/h	15388
Input	W	1170
Rated current(RLA)	A	10
Locked rotor Amp(LRA)	A	---
Thermal protector		---
Thermal protector position		---
Refrigerant oil/oil charge	ml	VG74/500
Operation temperature		
Indoor(cooling/ heating)	Deg. F	62~90/32~86
Outdoor(cooling/heating)	Deg. F	-13~122/ -13~86
Application area	sq.ft	258-376

OUTDOOR UNIT DATA

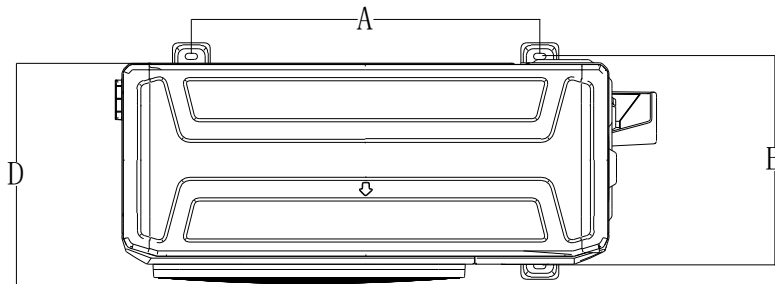
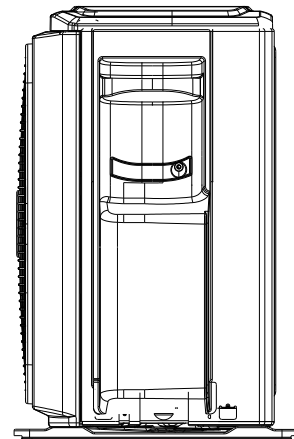
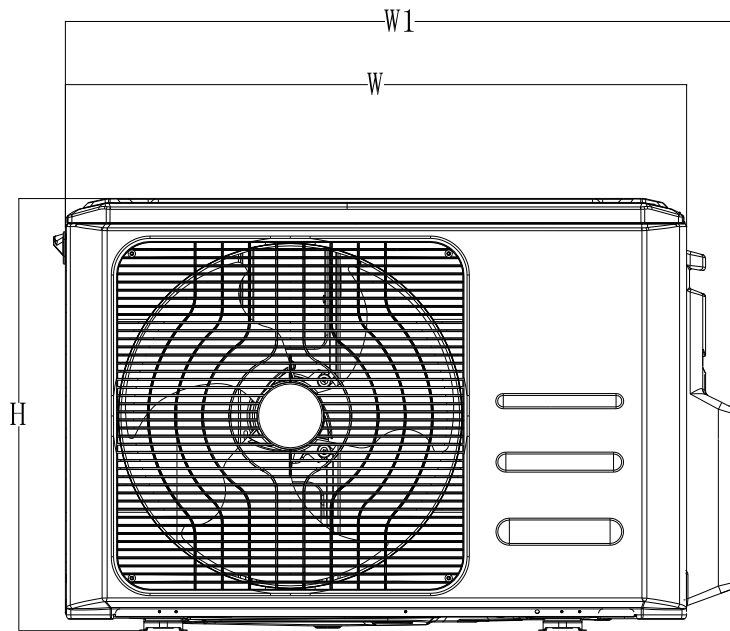
Outdoor fan motor		
Model		ZKFN-50-8-2
Type		DC
Input		115.0
RLA	A	0.55
Speed	r/min	800/650/550
Air flow & Noise level		
Outdoor air flow	CFM	817.65
Outdoor noise level	dB(A)	62.4

Outdoor unit		
Dimension(W*D*H)	inch	33.27x14.29x27.64
Packing (W*D*H)	inch	37.99x15.55x29.72
Net/Gross weight	lbs.	105.82/114.64

SYSTEM DATA

Design pressure	PSIG	550/340
Refrigerant type	oz	R410A/70.5
Refrigerant precharge	ft	49
Additional charge per ft.	oz	0.16 for 1/4" liquid pipe 0.32 for 3/8" liquid pipe
Liquid side/ Gas side	mm(inch)	2 X Φ6.35/Φ9.52(1/4"/3/8")
Max. length for all rooms	ft	131
Max. length for one indoor unit	ft	82
Max. height difference between indoor and outdoor unit	ft	49
Max. height difference between indoor units	ft	33

OUTDOOR UNIT



Model	W (inch)	D (inch)	H (inch)	W1inch)	A(inch)	B (inch)
OHP14-18-22-23	33.3	14.3	27.6	36.0	21.3	13.8