



AIR CONDITIONERS

# Submittal Data Sheet

Project Name:		Approval:	
Location:		Date:	
Engineer:		Construction:	
Submitted to:		Unit #:	
Submitted by:		Drawing #:	
Reference:			

Model	
Indoor unit model	DWHP14-18-12-25
Outdoor unit model	OHP14-18-12-25

**PERFORMANCE DATA**

Power supply	Ph-V-Hz	208-230V,1Ph,60Hz
--------------	---------	-------------------

**Cooling**

Capacity	Btu/h	17000
Input	W	1360
Rated current	A	5.95

**Heating at 47**

Capacity	Btu/h	18000
Input	W	1685
Rated current	A	7.4
COP	W/W	3.13

**Electrical**

MINIMUM CIRCUIT AMPACITY	A	18
MAX. FUSE	A	25
Connection wiring		14*4 AWG

**Compressor**

Model		ATF235D22UMT
Type		ROTARY
Brand		GMCC
Capacity	Btu/h	24345
Input	W	1970
Rated current(RLA)	A	12.9
Locked rotor Amp(LRA)	A	---
Thermal protector		---
Thermal protector position		---
Refrigerant oil/oil charge	ml	POE(VG74)/670

**SYSTEM DATA**

Design pressure	PSIG	550/340 PSIG
Refrigerant type	oz	R410A/68.8
Refrigerant precharge	ft	25
Additional charge per ft.	oz	0.16
Liquid side/ Gas side	mm(in)	Φ6.35/Φ12.7(1/4"/1/2")
Max. refrigerant pipe length	ft	98
Max. difference in level	ft.	66

**INDOOR UNIT DATA**

**Indoor fan motor**

Model		ZKFP-58-8-1
Type		DC
Input		58.0
RLA	A	0.4
LRA	A	---
Winding Resistance	Ω	---
Capacitor	uF	---
Speed(Hi/Mi/Lo)	r/min	1100/900/700

**Air flow & Noise level**

Indoor air flow (Hi/Lo)	CFM	530/410/295
Indoor noise level (Hi/Lo)	dB(A)	46.2/36.3/30.9

**Indoor unit**

Dimension(W*D*H)	inch	38.98x8.58x12.40
Packing (W*D*H)	inch	41.93x11.81x15.75
Net/Gross weight	lbs.	26.9/34.8

**OUTDOOR UNIT DATA**

**Outdoor fan motor**

Model		ZKFN-50-8-2
Type		DC
Input		115
RLA	A	0.60
LRA	A	---
Winding Resistance	Ω	---
Capacitor	uF	---
Speed	r/min	850

**Air flow & Noise level**

Outdoor air flow	CFM	1355
Outdoor noise level	dB(A)	59

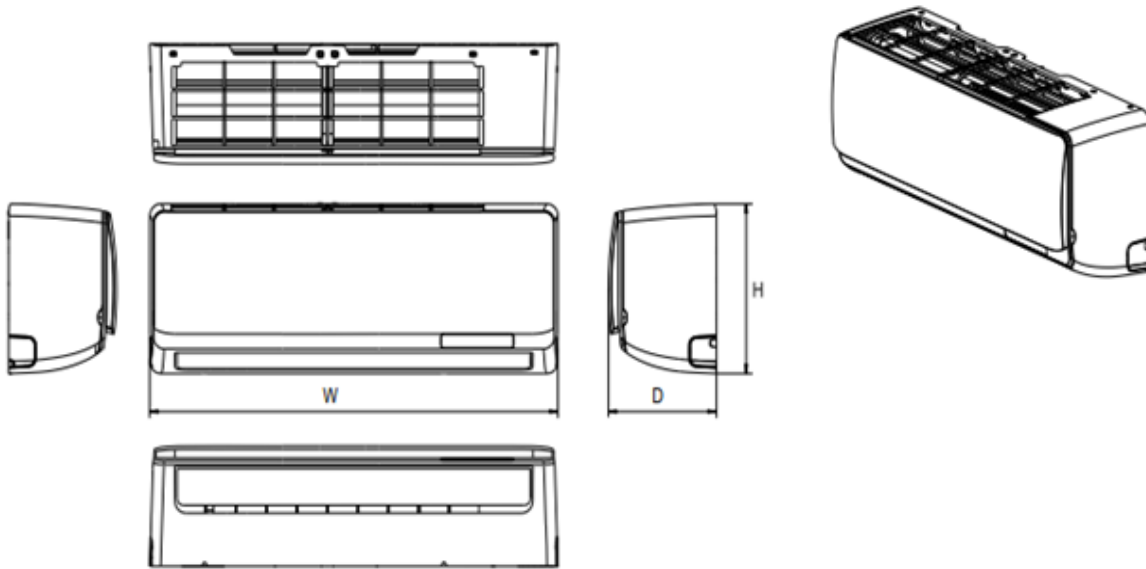
**Outdoor unit**

Dimension(W*D*H)	inch	33.27x14.29x27.64
Packing (W*D*H)	inch	37.99x15.55x30.11
Net/Gross weight	lbs.	107.4/115.1

**Operation temperature**

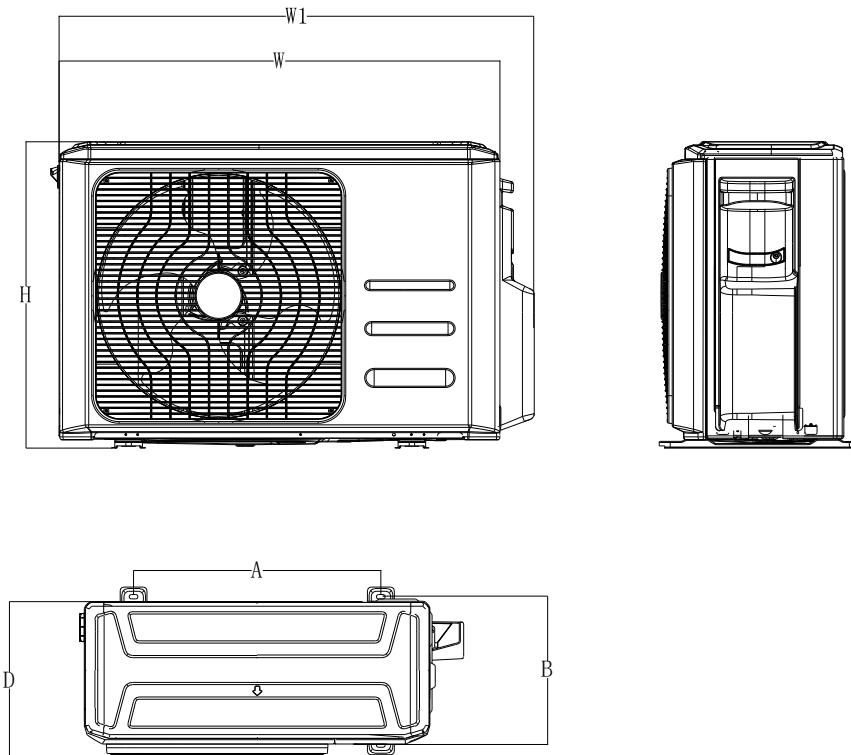
Indoor(cooling/ heating)	Deg. F	62~90/32~86
Outdoor(cooling/heating)	Deg. F	-22~-122/ -22~86
Application area	sq.ft	258-376

**INDOOR UNIT**



Model	W (inch)	D (inch)	H (inch)
DWHP14-18-12-25	38.98	8.58	12.4

**OUTDOOR UNIT**



Model	W (inch)	D (inch)	H (inch)	W1 (inch)	A (inch)	B (inch)
OHP14-18-12-25	33.3	14.3	27.6	36.0	21.3	13.8