



AIR CONDITIONERS

[www.NortonAirConditioners.com](http://www.NortonAirConditioners.com)

# Submittal Data Sheet

Project Name:		Approval:	
Location:		Date:	
Engineer:		Construction:	
Submitted to:		Unit #:	
Submitted by:		Drawing #:	
Reference:			

Outdoor model	OHP14-27-32-23
---------------	----------------

## PERFORMANCE DATA

Power supply	Ph-V-Hz	208-230V~60Hz , 1Ph
<b>Cooling</b>		
Capacity	Btu/h	28000
Input	W	2545
Rated current	A	11.1
EER	Btu/w	11
SEER	Btu/w	21
<b>Heating</b>		
Capacity	Btu/h	28000
Input	W	2261
Rated current	A	9.8
COP	W/W	3.63
HSPF4		10
HSPF5		8.5
<b>Electrical</b>		
MINIMUM CIRCUIT AMPACITY	A	25.0
MAX. FUSE	A	35.0
Connection wiring		16*4 AWG
<b>Compressor</b>		
Model		ATF235D22UMT
Type		ROTARY
Brand		GMCC
Capacity	Btu/h	24345
Input	W	1970
Rated current(RLA)	A	20
Locked rotor Amp(LRA)	A	---
Thermal protector		---
Thermal protector position		---
Refrigerant oil/oil charge	ml	VG74/670
<b>Operation temperature</b>		
Indoor(cooling/ heating)	Deg. F	62~90/32~86
Outdoor(cooling/heating)	Deg. F	-13~122/ -13~86
Application area	sq.ft	387-564

## OUTDOOR UNIT DATA

<b>Outdoor fan motor</b>		
Model		ZKFN-120-8-2
Type		DC
Input		150.0
RLA	A	1.39
Speed	r/min	900/750/600
<b>Air flow &amp; Noise level</b>		
Outdoor air flow	CFM	2129.41
Outdoor noise level	dB(A)	63.4

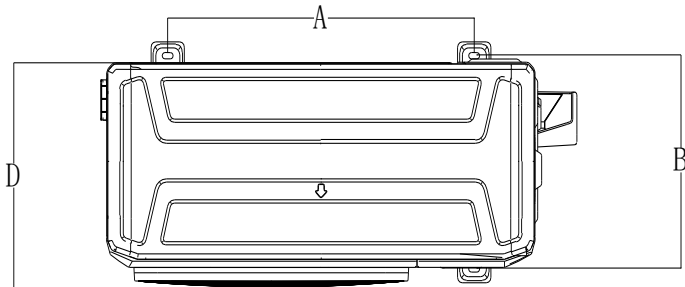
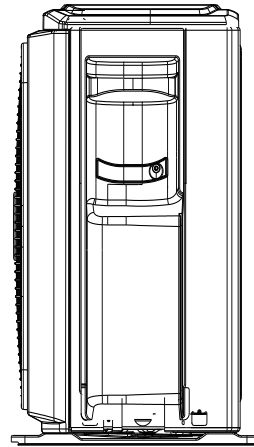
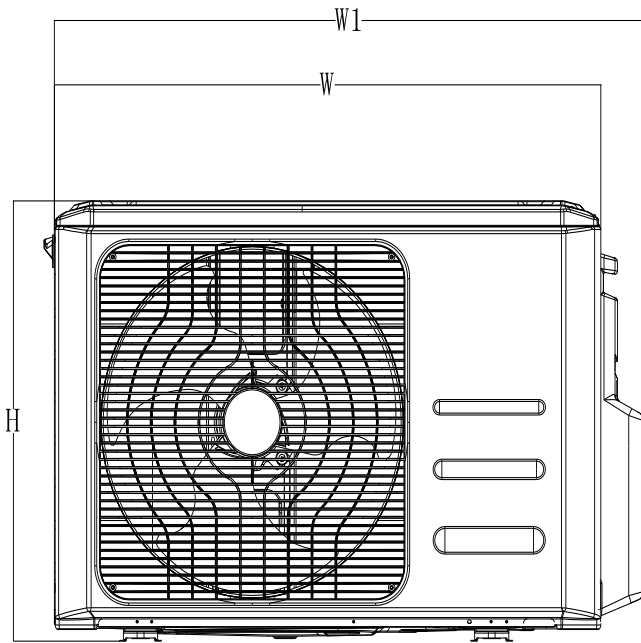
## Outdoor unit

Dimension(W*D*H)	inch	37.24x16.14x31.89
Packing (W*D*H)	inch	42.91x19.69x34.06
Net/Gross weight	lbs.	149.91/160.94

## SYSTEM DATA

Design pressure	PSIG	550/340
Refrigerant type	oz	R410A/98.8
Refrigerant precharge	ft	74
Additional charge per ft.	oz	0.16 for 1/4" liquid pipe 0.32 for 3/8" liquid pipe
Liquid side/ Gas side	mm(inch)	3 X Φ6.35/Φ9.52(1/4"/3/8")
Max. length for all rooms	ft	197
Max. length for one indoor unit	ft	98
Max. height difference between indoor and outdoor unit	ft	49
Max. height difference between indoor units	ft	33

**OUTDOOR UNIT**



Model	W (inch)	D (inch)	H (inch)	W1inch)	A(inch)	B (inch)
OHP14-27-32-23	37.24	16.54	31.89	40.55	26.5	15.9