



AIR CONDITIONERS

www.NortonAirConditioners.com

Submittal Data Sheet

Project Name:		Approval:	
Location:		Date:	
Engineer:		Construction:	
Submitted to:		Unit #:	
Submitted by:		Drawing #:	
Reference:			

Model	
Indoor unit model	DHP14-24-12-U
Outdoor unit model	OHP14-24-12-22



PERFORMANCE DATA

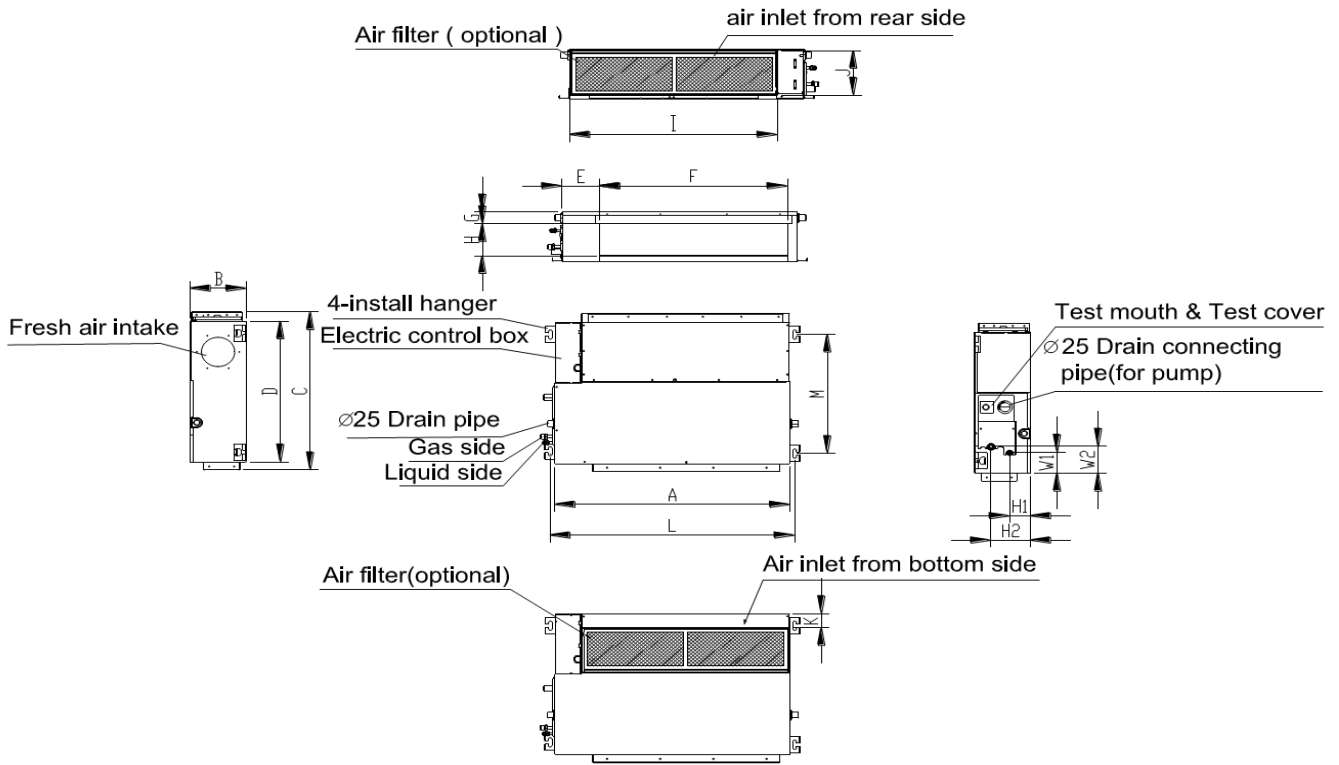
Power supply	Ph-V-Hz	208/230V,1Ph,60Hz
Cooling		
Capacity	Btu/h	24000
Input	W	1920
Rated current	A	8.8
EER	Btu/w	12.5
SEER	Btu/w	21
Heating at 47		
Capacity	Btu/h	24400
Input	W	2030
Rated current	A	9.3
COP	W/W	3.52
HSPF4		11
HSPF5		9.5
Electrical		
MINIMUM CIRCUIT AMPACITY	A	18
MAX. FUSE	A	25
Connection wiring		16*4 AWG
Compressor		
Model		ATF235D22UMT
Type		ROTARY
Brand		GMCC
Capacity	Btu/h	24345
Input	W	1970
Rated current(RLA)	A	12
Locked rotor Amp(LRA)	A	---
Thermal protector		---
Thermal protector position		---
Refrigerant oil/oil charge	ml	POE(VG74)/670
SYSTEM DATA		
Design pressure	PSIG	550/340 PSIG
Refrigerant type	oz	R410A/82.9
Refrigerant precharge	ft	25
Additional charge per ft.	oz	0.32
Liquid side/ Gas side	mm(in)	Φ9.52/Φ15.9(3/8"/5/8")
Max. refrigerant pipe length	ft	164
Max. difference in level	ft.	82
ESP		
ESP range	ln. wg.	0-0.64

INDOOR UNIT DATA

Indoor fan motor		
Model		ZKFN-160-8-1-2
Type		DC
Input		90.0
RLA	A	1.5
LRA	A	---
Winding Resistance	Ω	---
Capacitor	uF	---
Speed(Hi/Mi/Lo)	r/min	880/820/690
Air flow & Noise level		
Indoor air flow (Hi/Lo)	CFM	776/694/435
Indoor noise level (Hi/Lo)	dB(A)	44/41/38
Indoor unit		
Dimension(W*D*H)	inch	43x30x10
Packing (W*D*H)	inch	51x32x12
Net/Gross weight	lbs.	87/103

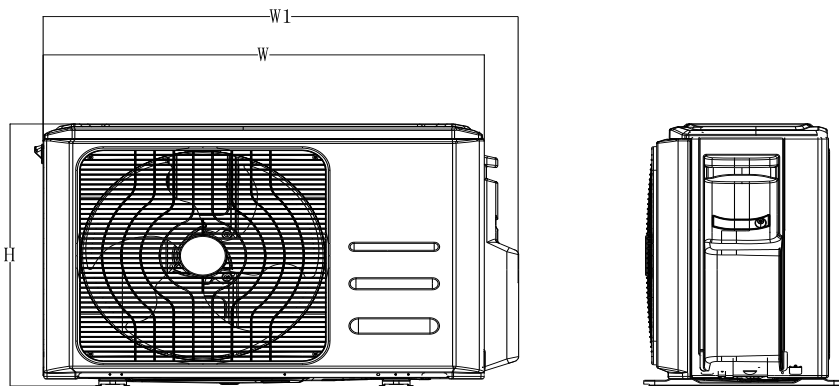
OUTDOOR UNIT DATA

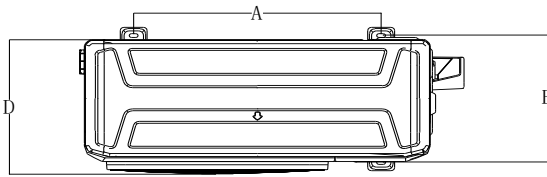
Outdoor fan motor		
Model		ZKFN-120-8-2
Type		DC
Input		150
RLA	A	0.6
LRA	A	---
Winding Resistance	Ω	---
Capacitor	uF	---
Speed	r/min	810
Air flow & Noise level		
Outdoor air flow	CFM	2237
Outdoor noise level	dB(A)	61
Outdoor unit		
Dimension(W*D*H)	inch	37.24x16.14x31.89
Packing (W*D*H)	inch	42.91x19.69x34.45
Net/Gross weight	lbs.	136.69/148.59
Operation temperature		
Indoor(cooling/ heating)	Deg. F	62~90/32~86
Outdoor(cooling/heating)	Deg. F	-13~122/ -13~86
Application area	sq.ft	344-505



Capacity (Btu)	Outline dimension(mm)				Air outlet opening size				Air return opening size			Size of mounted plug		Size of gas and liquid valve			
	A	B	C	D	E	F	G	H	I	J	K	L	M	H1	H2	W1	W2
24000	1100	249	774	700	140	926	50	175	1001	228	5	1140	598	80	150	130	155

OUTDOOR UNIT





Model	W (inch)	D (inch)	H (inch)	W1 (inch)	A (inch)	B (inch)
MOD31-24HFN1-MTOW	37.2	16.1	31.9	40.6	26.5	15.9

